

INSTALLATION INSTRUCTIONS

Troldtekt® access panel 600x600 mm
Installed in C60 profile system

Troldtekt® 
Acoustic Solutions since 1935
By Kingspan

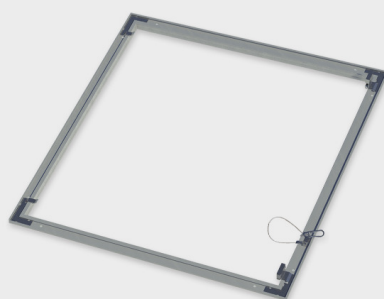
These instructions apply to installation of the Troldtekt® access panel 600x600 mm in a C60 profile system.

INSPECTION ON RECEIPT

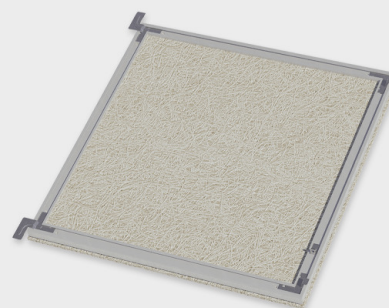
Check that the following components are complete and undamaged on receipt. Please inform the supplier immediately of any visible defects or non-conformities as we are unable to accept claims regarding visible defects or non-conformities once the access

panel has been fitted. Please also refer to the instructions regarding storage and acclimatisation as well as care and maintenance of Troldtekt acoustic panels – download at www.troldtekt.com

COMPONENTS

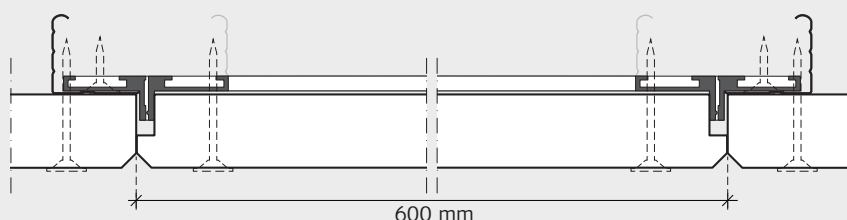


Outer frame



Inner frame with pre-installed acoustic panel

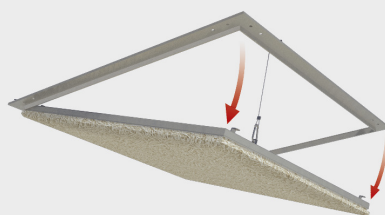
INSTALLATION DIAGRAM



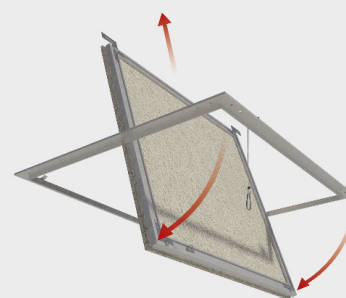
SEPARATING THE ACCESS PANEL PRIOR TO INSTALLATION



1: Release the inner frame from the outer frame by pressing it from below. This releases the latch mechanism.

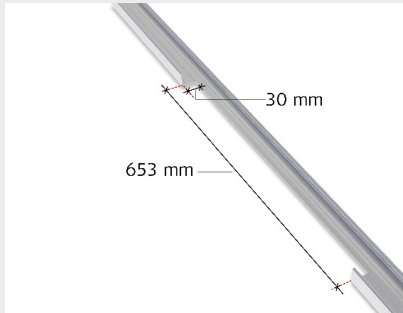


2: Once the frame is open, release the snap hook.

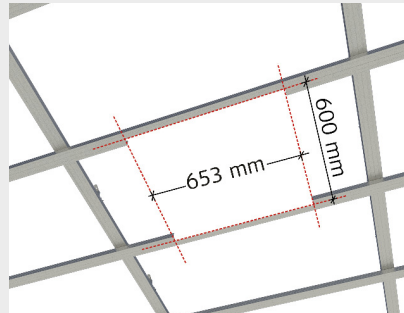


3: The frames can now be separated.

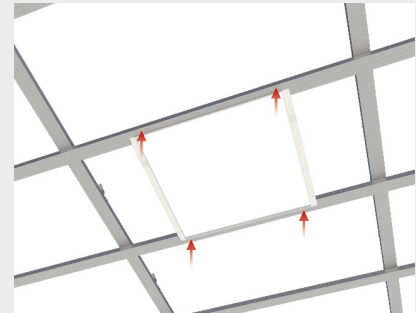
INSTALLATION OF 600 X 600 MM ACCESS PANEL



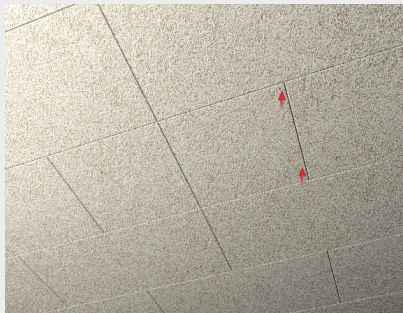
4: Make cuts as shown to enable installation in the two C60 profiles which will carry the access panel.



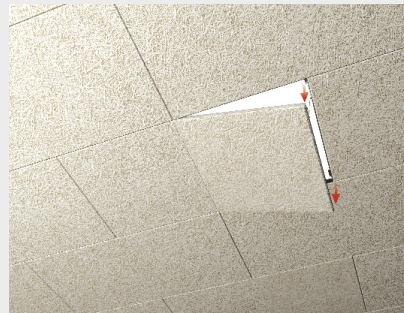
5: Profile system prepared for installation of the 600 mm access panel.



6: Hold the outer frame in position secure it to the profiles with four self-drilling screws. Then replace the access panel inside the outer frame.

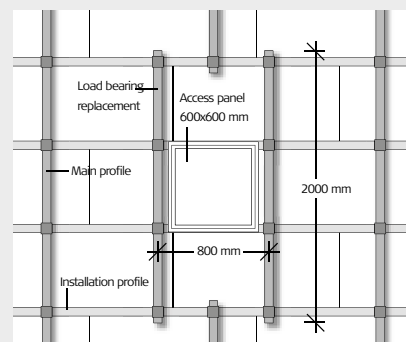


7: To open the access panel, press the Troldekt acoustic panel lightly under the push release locks.

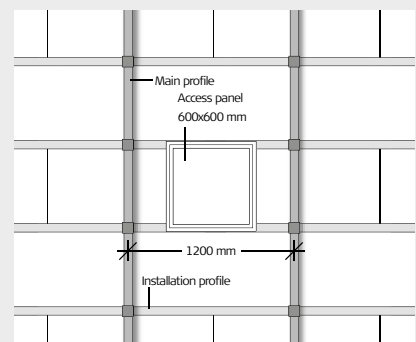


8: Release the snap hook to open the access panel completely.

LOAD BEARING REPLACEMENT



With load bearing replacement, 1 main profile is interrupted.



Without load bearing replacement